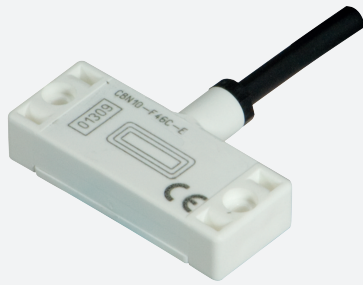


Capacitive sensor

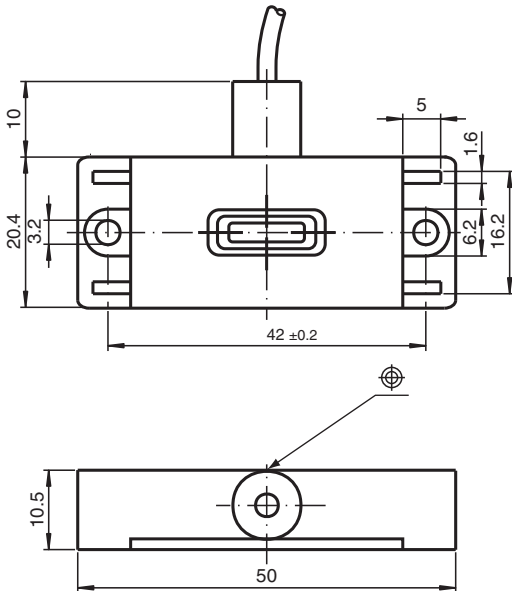
CBN10-F46C-EI



- Flat housing
- Insensitive to moisture condensation



Dimensions



Technical Data

General specifications

Output type		Digital current output
Rated operating distance	s_n	7 mm
Installation		non-flush
Output polarity		DC
Assured operating distance	s_a	0 ... 5 mm
Output type		3-wire

Nominal ratings

Installation conditions		
B		5 mm
C		20 mm
F		40 mm / 60 mm
Operating voltage	U_B	9 ... 30 V
Switching frequency	f	0 ... 5 Hz

Release date: 2022-06-30 Date of issue: 2022-06-30 Filename: 279217_eng.pdf

Refer to "General Notes Relating to Pepperl+Fuchs Product Information".

Pepperl+Fuchs Group
www.pepperl-fuchs.com

USA: +1 330 486 0001
fa-info@us.pepperl-fuchs.com

Germany: +49 621 776 1111
fa-info@de.pepperl-fuchs.com

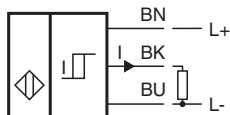
Singapore: +65 6779 9091
fa-info@sg.pepperl-fuchs.com

PEPPERL+FUCHS

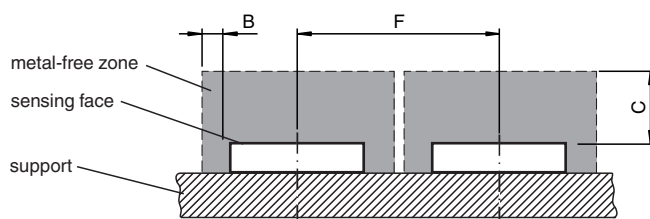
Technical Data

Hysteresis	H	1 ... 10 typ. 5 %
Reverse polarity protection		reverse polarity protected
Short-circuit protection		yes
No-load supply current	I_0	≤ 20 mA
Load resistor		0 ... 250 Ohm
Functional safety related parameters		
MTTF _d		660 a
Mission Time (T _M)		20 a
Diagnostic Coverage (DC)		0 %
Digital output		
Output value		object detected: 10 mA \pm 1 mA object not detected: 5 mA \pm 1 mA
Compliance with standards and directives		
Standard conformity		
Standards		EN 60947-5-2:2007 IEC 60947-5-2:2007
Approvals and certificates		
UL approval		UL 60947-5-2: 2014 Class 2 power source type rating 1
CCC approval		CCC approval / marking not required for products rated ≤ 36 V
Ambient conditions		
Ambient temperature		-40 ... 85 °C (-40 ... 185 °F)
Storage temperature		-40 ... 85 °C (-40 ... 185 °F)
Mechanical specifications		
Connection type		cabl e , PUR 2 m
Core cross section		3 x 0.34 mm ²
Housing material		PVDF
Sensing face		PVDF
Degree of protection		IP67
Mass		75 g

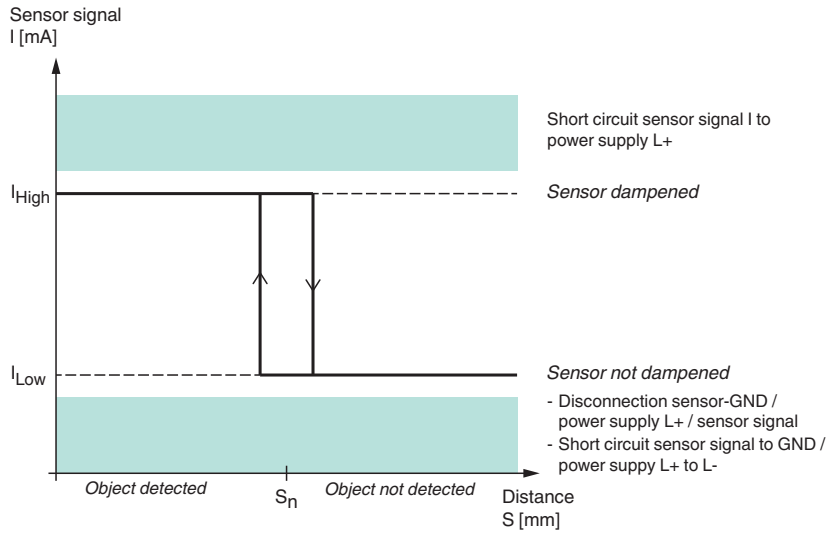
Connection



Installation Conditions



Characteristic Curve



Release date: 2022-06-30 Date of issue: 2022-06-30 Filename: 279217_eng.pdf

Refer to "General Notes Relating to Pepperl+Fuchs Product Information".

Pepperl+Fuchs Group
www.pepperl-fuchs.com

USA: +1 330 486 0001
fa-info@us.pepperl-fuchs.com

Germany: +49 621 776 1111
fa-info@de.pepperl-fuchs.com

Singapore: +65 6779 9091
fa-info@sg.pepperl-fuchs.com